



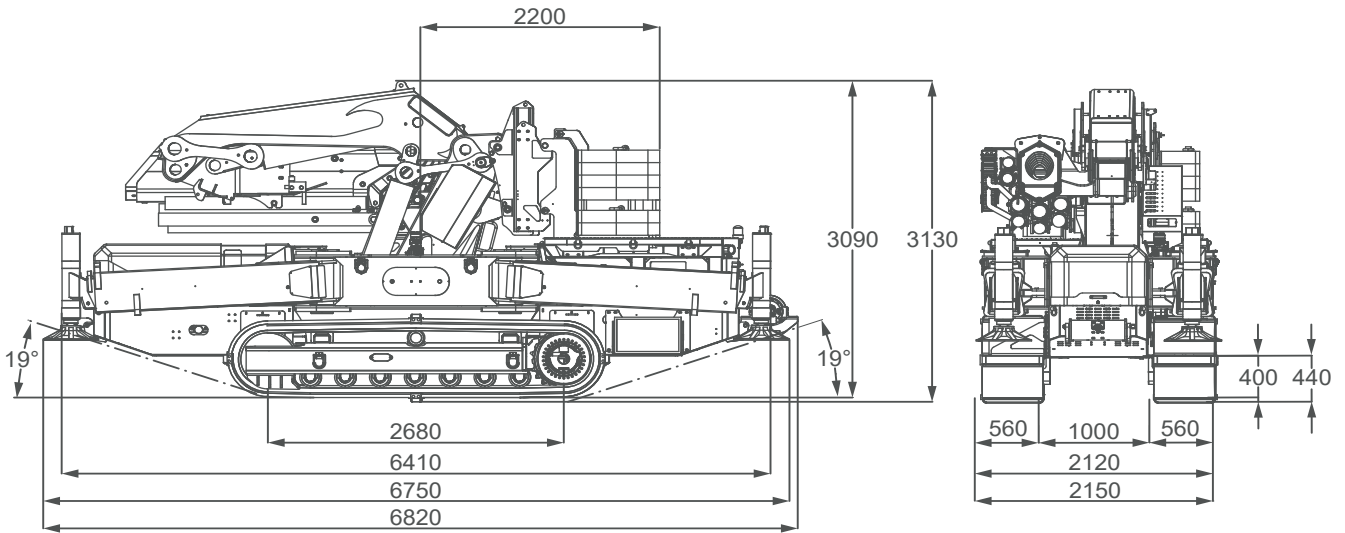
Technical Data

Specification & Capacities

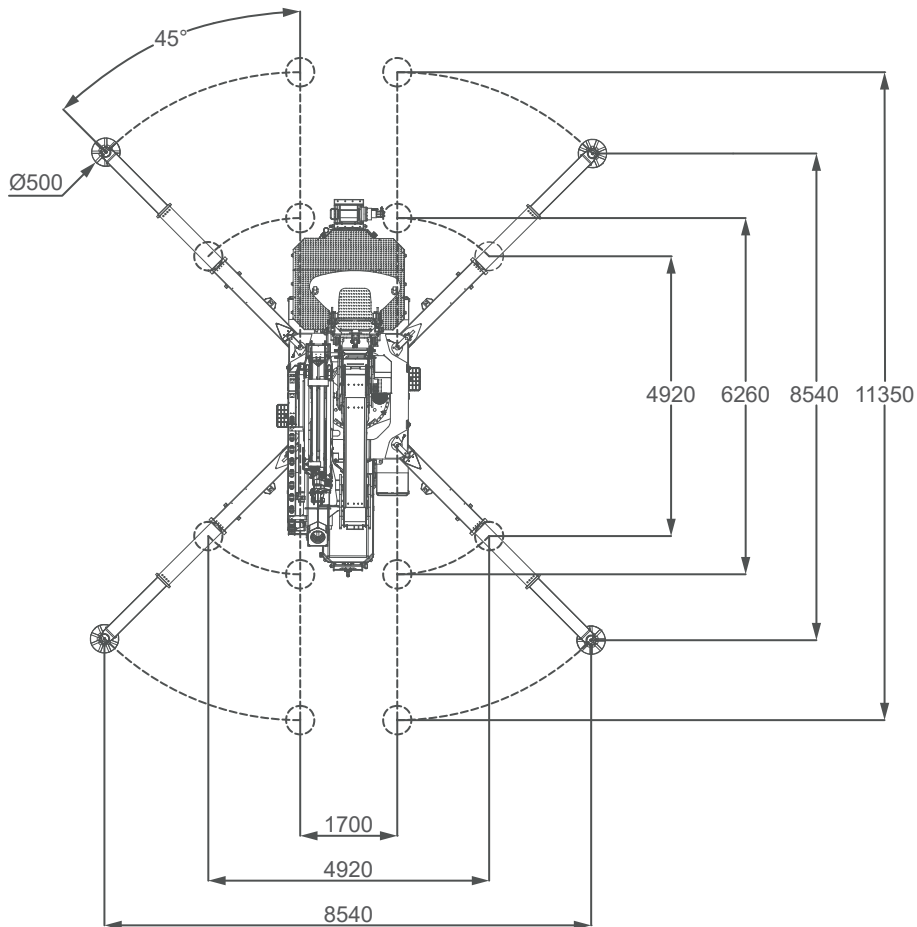
JF990

OVERALL DIMENSIONS

(without jib and low marking pads)



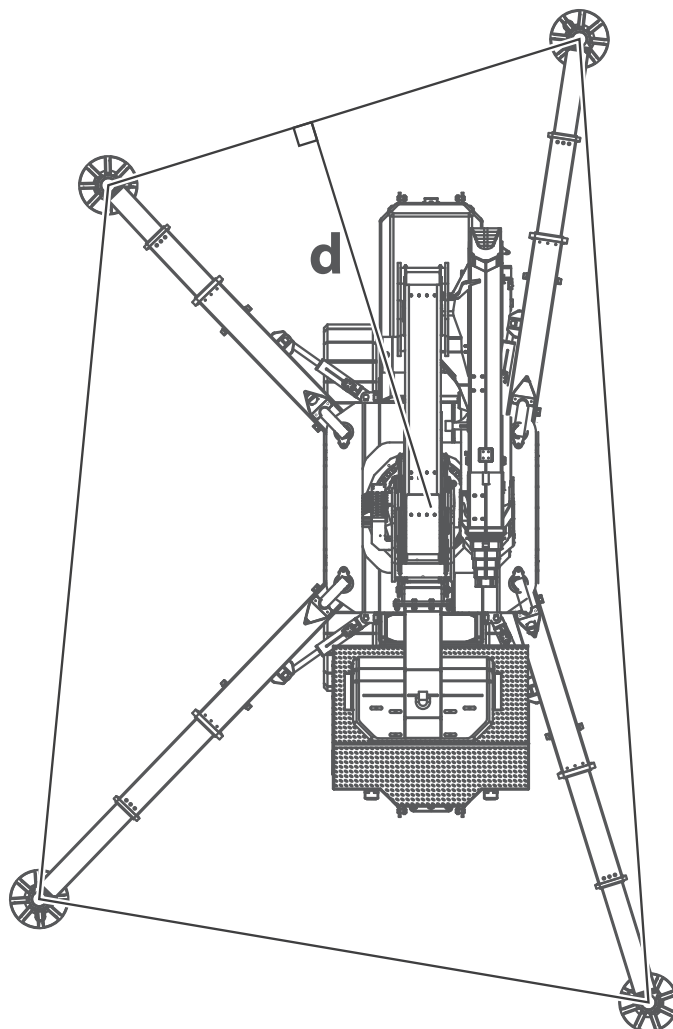
STABILIZATION AREA



Min stability angle: 0°
Max stability angle: 45°

[mm]

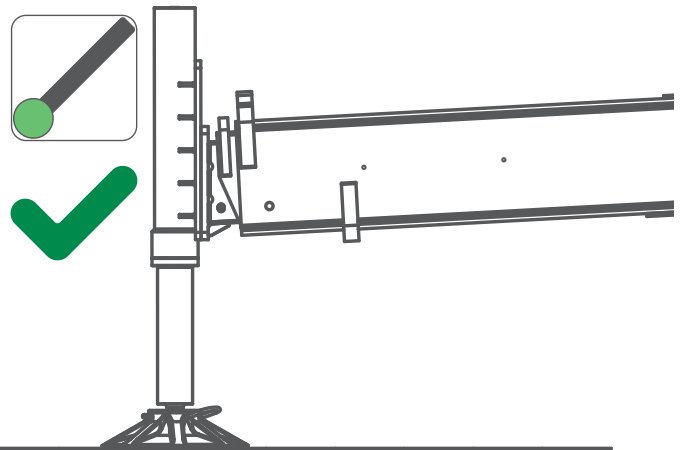
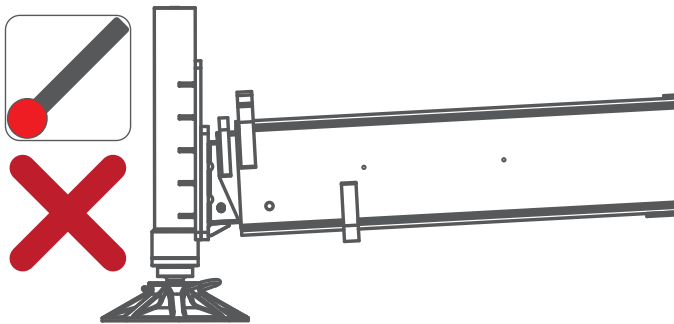
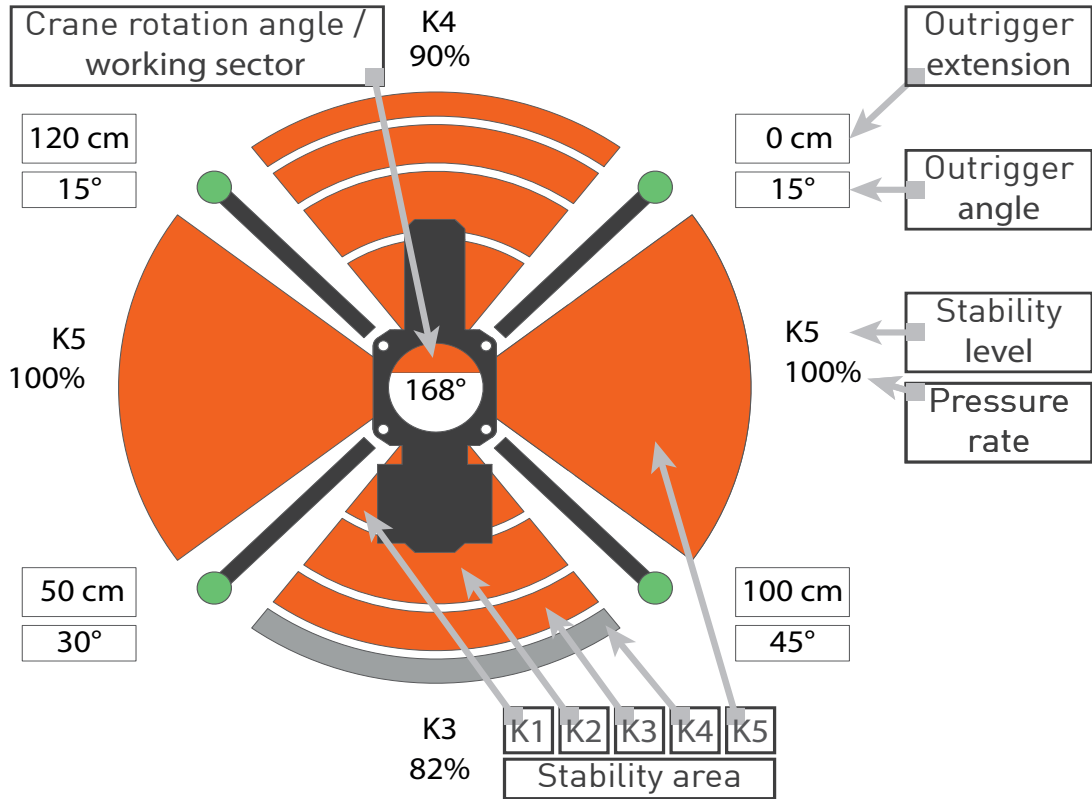
CRANE PERFORMANCE



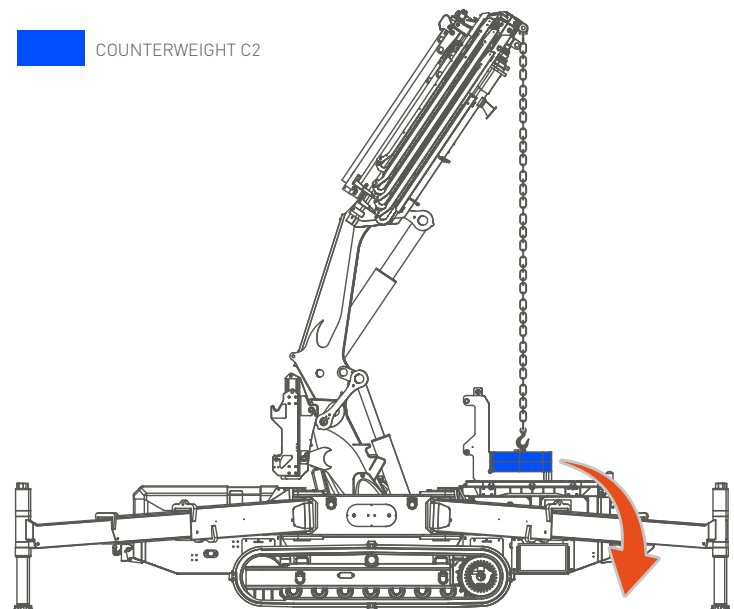
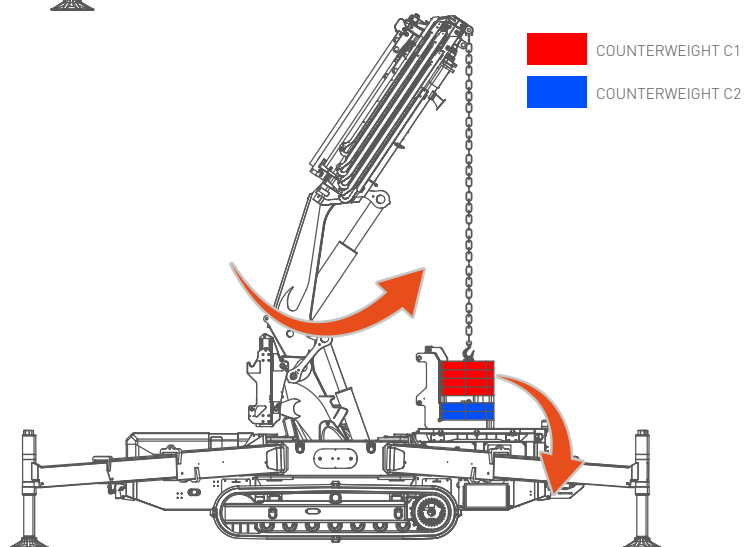
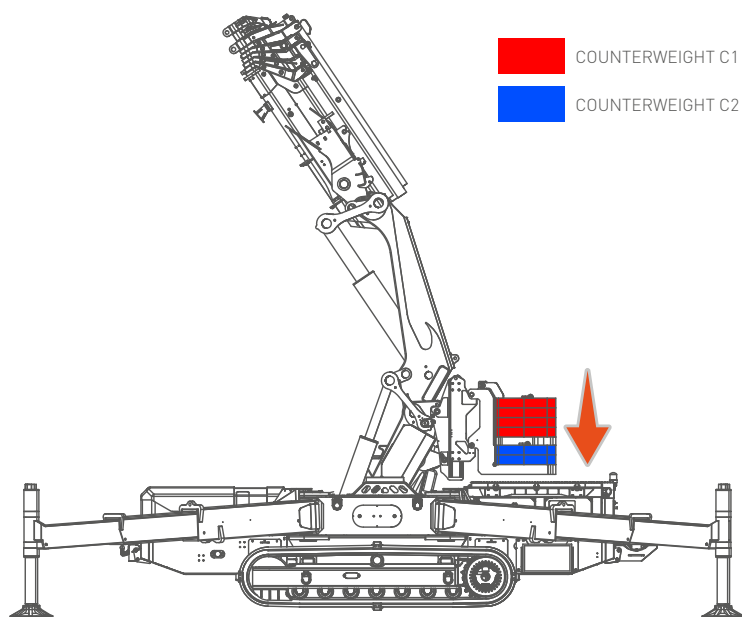
| K | d min | d max |
|----|--------|--------|
| K1 | 0,97 m | 2,35 m |
| K2 | 2,35 m | 2,90 m |
| K3 | 2,90 m | 3,50 m |
| K4 | 3,50 m | 4,08 m |
| K5 | 4,08 m | - |

STABILIZATION CHART

The division into 4 areas is a schematic representation, software adapts pressure level constantly.

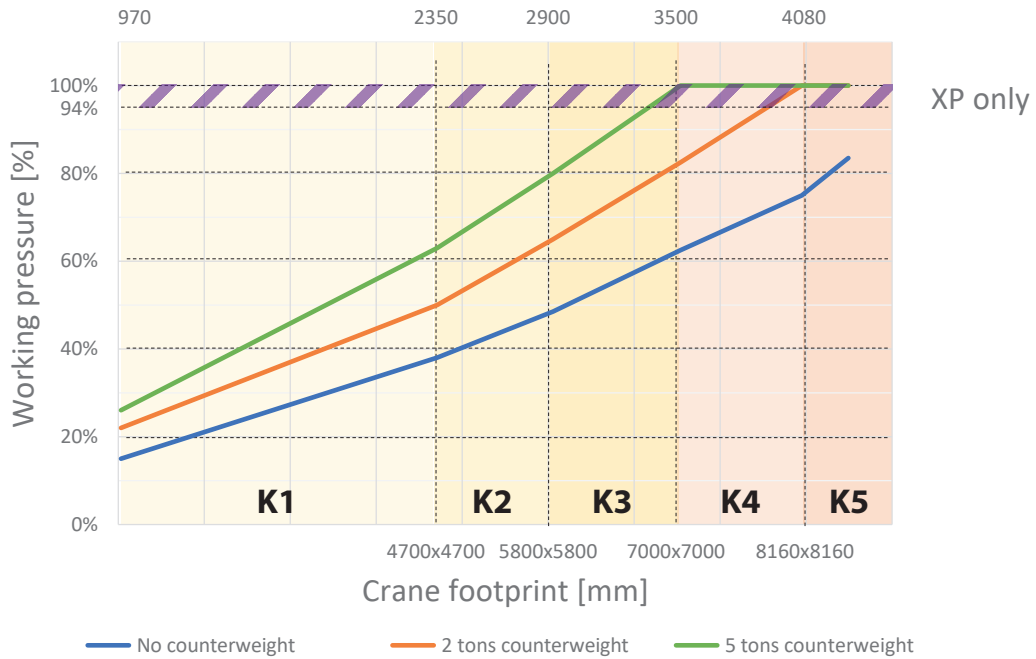


COUNTERWEIGHT REMOVAL

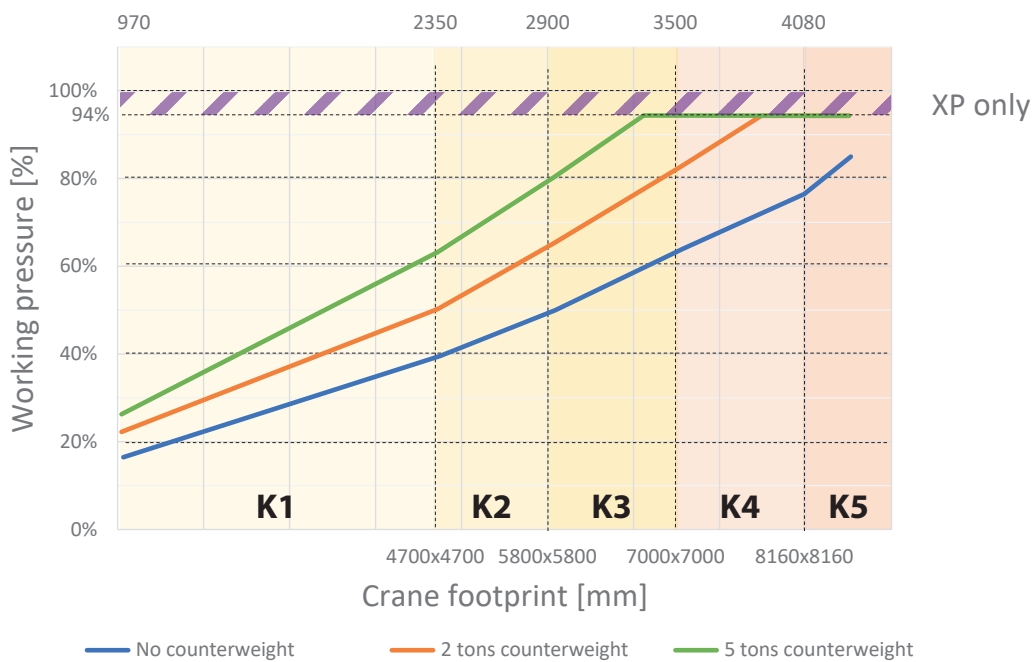


JF990 - MAIN BOOM

with HOOK

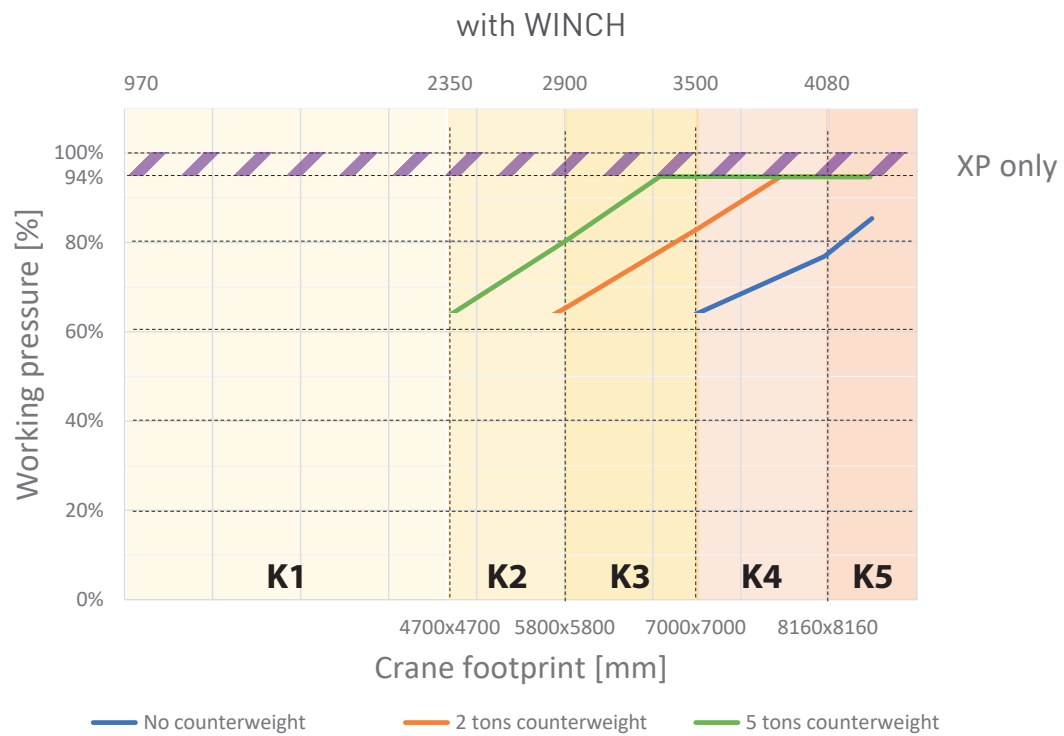
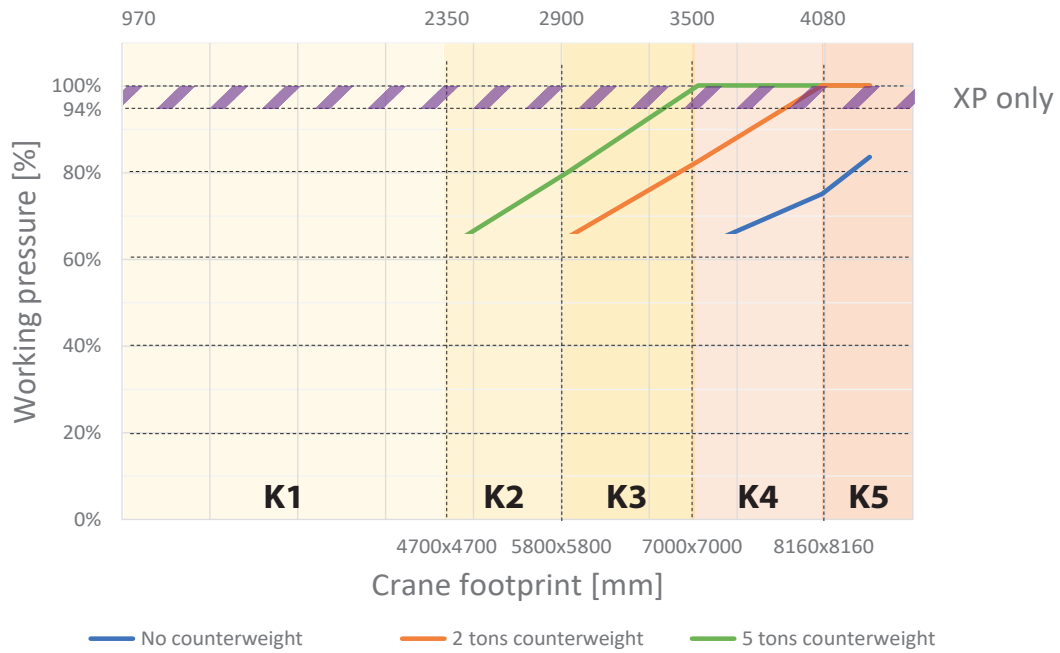


with WINCH



JF990 - JIB5400.6HA

with HOOK







OVERALL INFORMATIONS


| CRANE INFO | | NAME | DESCRIPTIONS | U.M | VALUE |
|------------|--|---------------------|----------------------------|--------------------|------------------------------|
| CRANE INFO | | OVERALL DIMENSIONS | Height | mm | 3.110 |
| | | | Length | | 6.750 |
| | | | Width | | 2.140 |
| | | BOOM | Length | m | 28,2 |
| | | | Speed | s | 55° |
| | | SLEWING | Angle | ° | 360° |
| | | | Speed | rpm | 1 |
| | | LIFTING | Working Angle | ° | 0°/80° |
| | | | Speed | s | Primary: 36 Secondary: 37 |
| | | | Max Capacity | kg | 21.000 |
| | | | Max Outrigger Bearing Load | kg | 16.350 [§] |
| | | | Track load | kg/cm ² | 0,95 |
| | | | Travel Speed | km/h | 2,2 |
| | | | Gradeability | ° | 20° (36%) [‡] |
| | | Working Temperature | °C | -20°/+40° | |
| | | Lifting Class | | | |


| WEIGHTS | | | | | |
|---------|--|---------------|-----------------|----|---------|
| WEIGHTS | | CRANE | All | kg | 20.500* |
| | | COUNTERWEIGHT | CW-1 | kg | 3.000 |
| | | | CW-2 | kg | 2.000 |
| | | HOOK BLOCK | Single Fall | kg | 73 |
| | | | Double Fall | kg | 71 |
| | | | Triple fall | kg | 74 |
| | | | Jib single fall | kg | 84 |

*: Dry weight
†: Kit including pulleys

‡: Engine working limit
§: Static lifting
◊: Measured without load, fully stabilized and without XP

| | | | | | |
|--------------------|---|--------------------------|--------------------|----|-------|
| ACCESSORIES |  | JIB | JIB5400.6HA | kg | 1.750 |
| |  | MARKING PADS LOAD | WTP-JFX | kg | 750 |
| |  | OUTRIGGERS MATS | OM500 | kg | 30 |
| |  | POWER PACK | 3-Phase Power Pack | kg | 80 |

| | | | | | |
|---------------|---|-------------------------|---------------|----|------|
| ENGINE |  | MAIN ENGINE | Power | kW | 55 |
| | | | | HP | 75 |
| | | | Tank capacity | L | 75 |
| | | AUXILIARY ENGINE | Power | kW | 13 |
| | | | | HP | 17,4 |

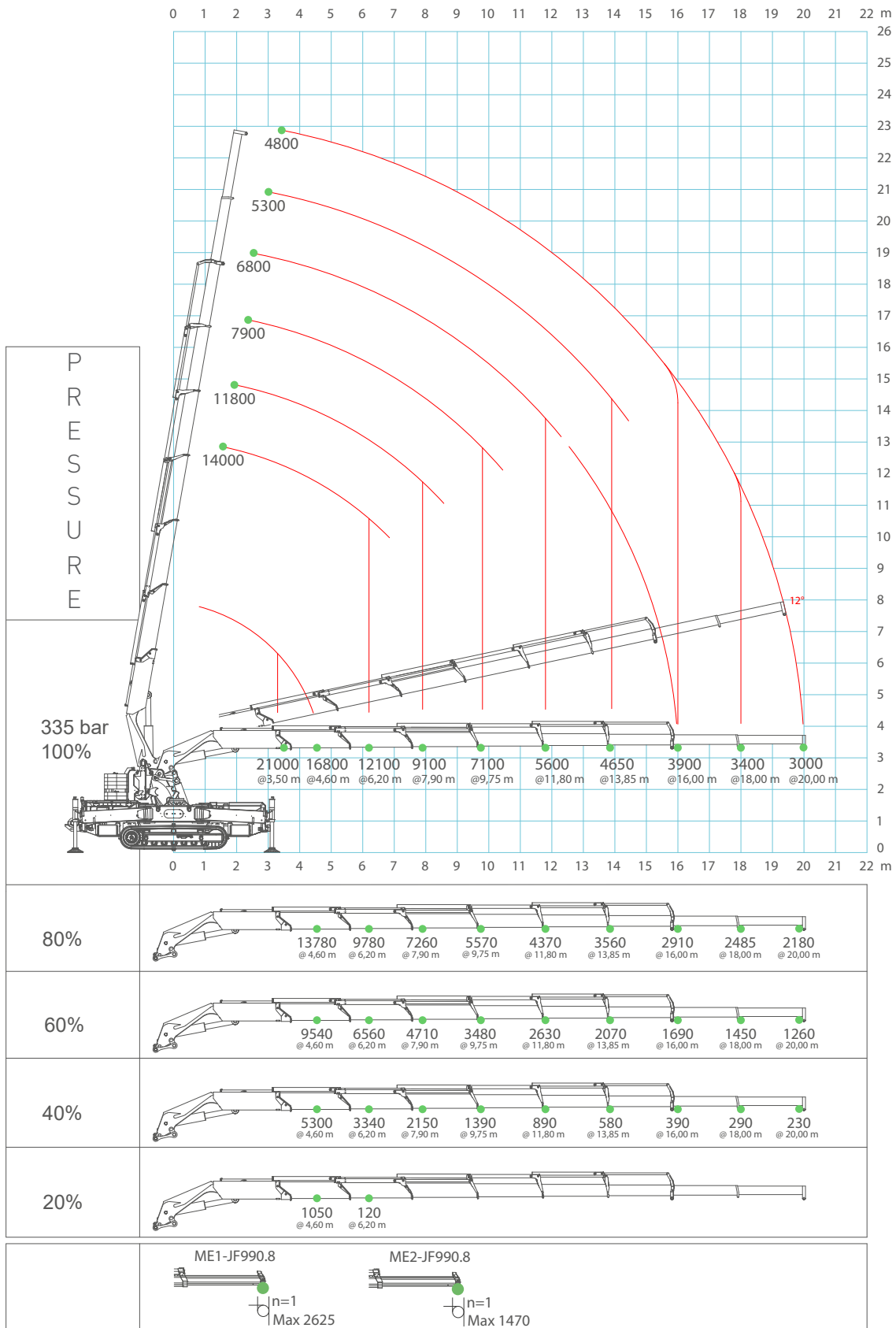
| | | | | | |
|-------------------------|---|------------------|-----------------|----------------------|---------------|
| HYDRAULIC SYSTEM |  | Working Pressure | | bar | 320 |
| | | Tank Capacity | | L | 270 |
| | | OIL | Type | Mineral | ISO 6743-4:HV |
| | | | Viscosity Grade | VG | 46 |
| | | MAIN PUMP | Type | Axial Piston Pump | |
| | | | Displacement | cm ³ /rev | 80 |
| | | | Max Oil Flow | L/min | 160 |

WINCH PERFORMANCE

| ROPE | Wire rope | Max load | Ø | Total lenght |
|-------------------|-------------------|-----------------|--------------|---------------------|
| | | kg | mm | m |
| | Right lang lay | 30.000 | 14 | 60 |
| HOOK BLOCK | Block type | Load | N° of | |
| | | kg | Sheaves | Lines |
| | Triple fall block | 9.000 | 1 | 3 |
| | Double fall block | 6.000 | 1 | 2 |
| | Single line | 3.000 | - | 1 |

JF990 - MAIN BOOM

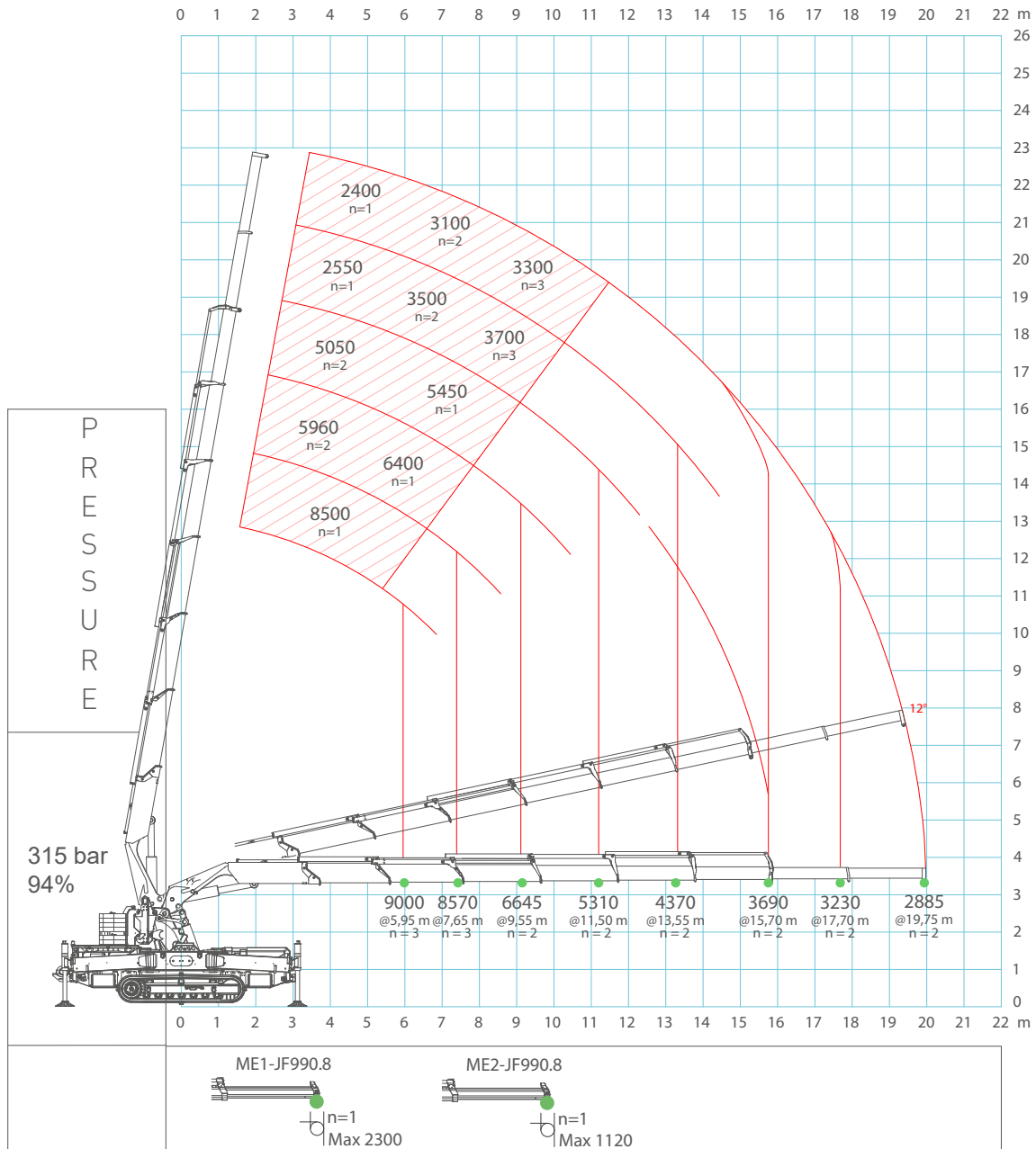
HOOK configuration



[kg]

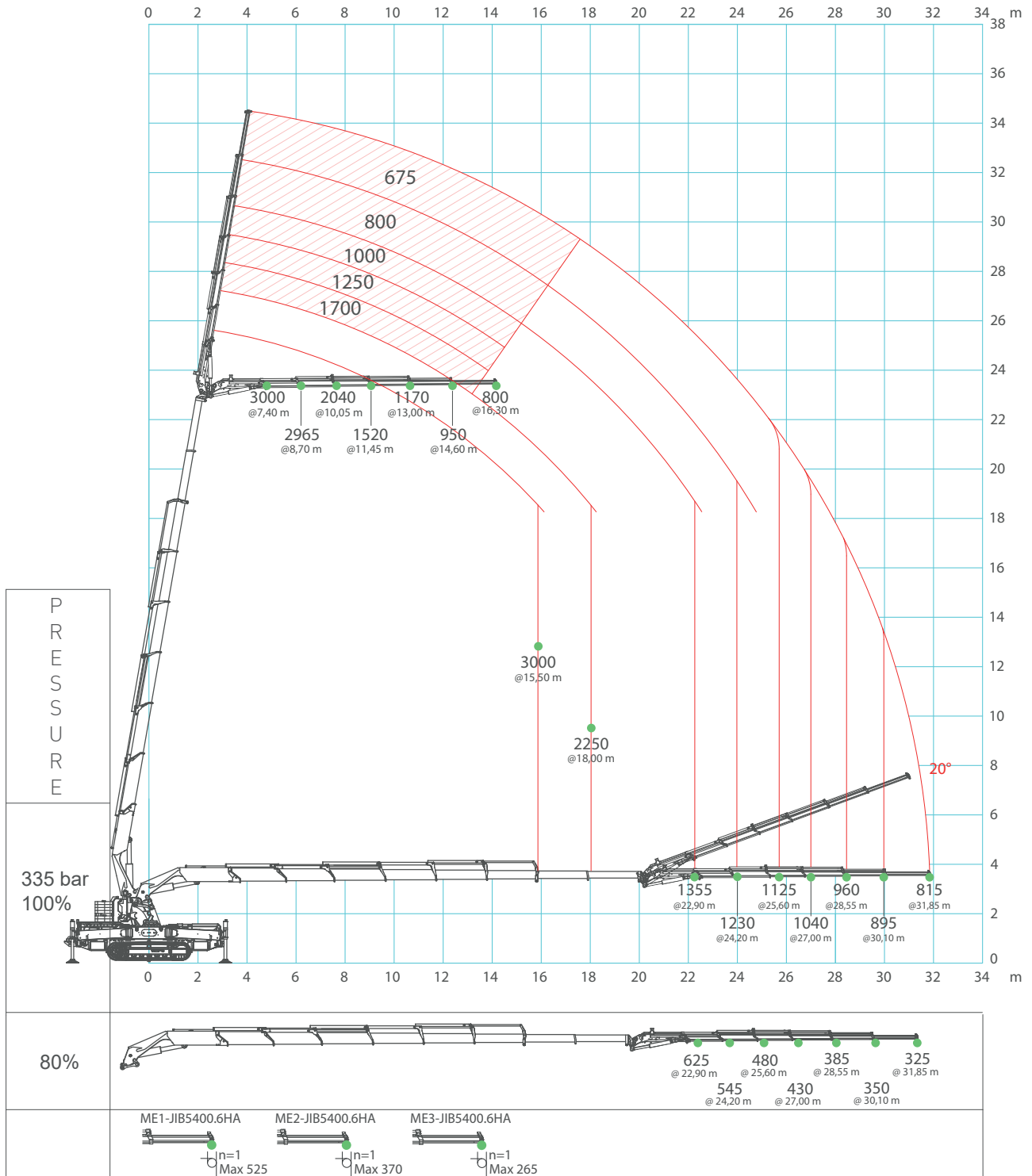
JF990 - MAIN BOOM

WINCH configuration



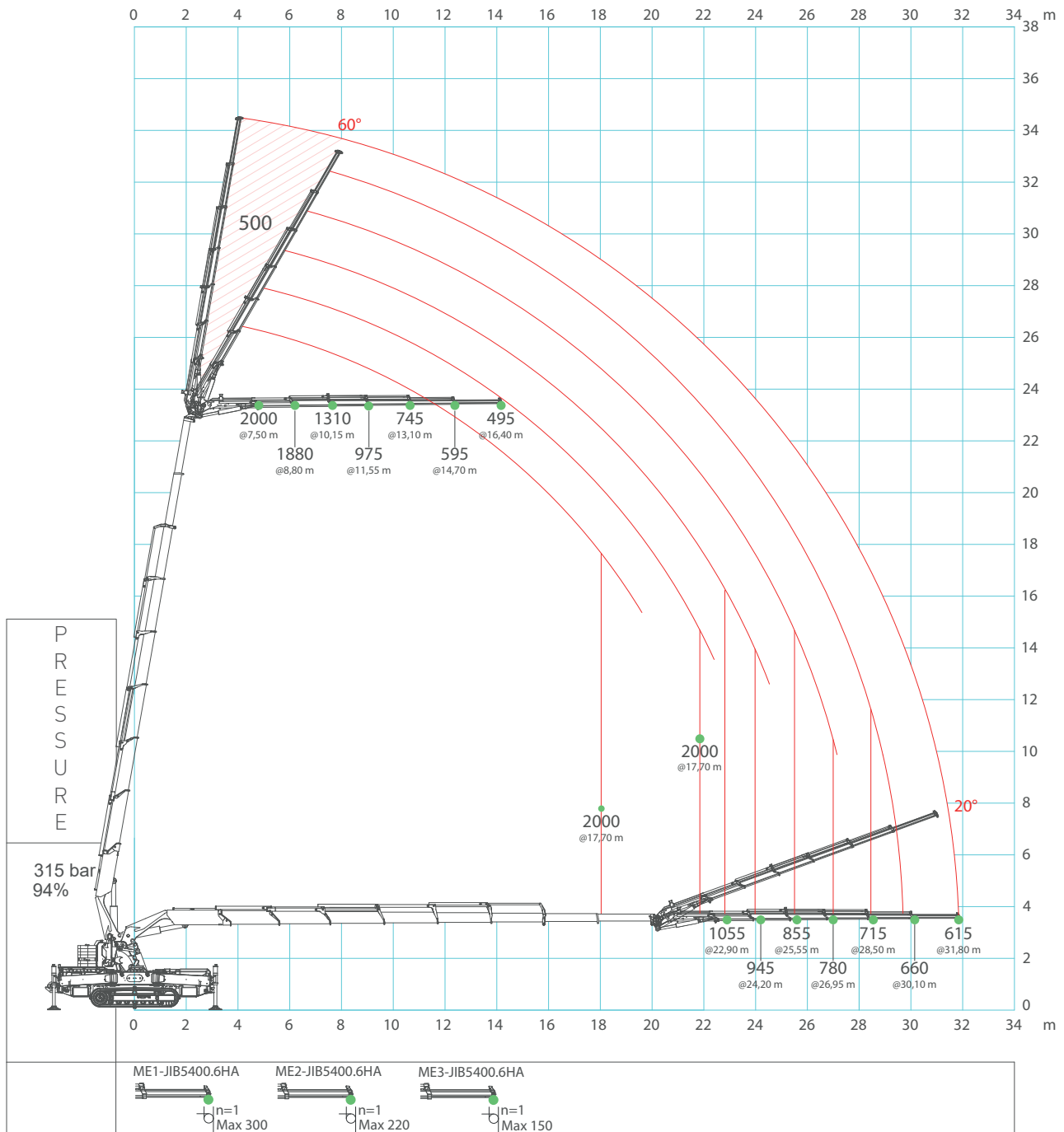
JF990 - JIB5400.6HA

HOOK configuration



JF990 - JIB5400.6H

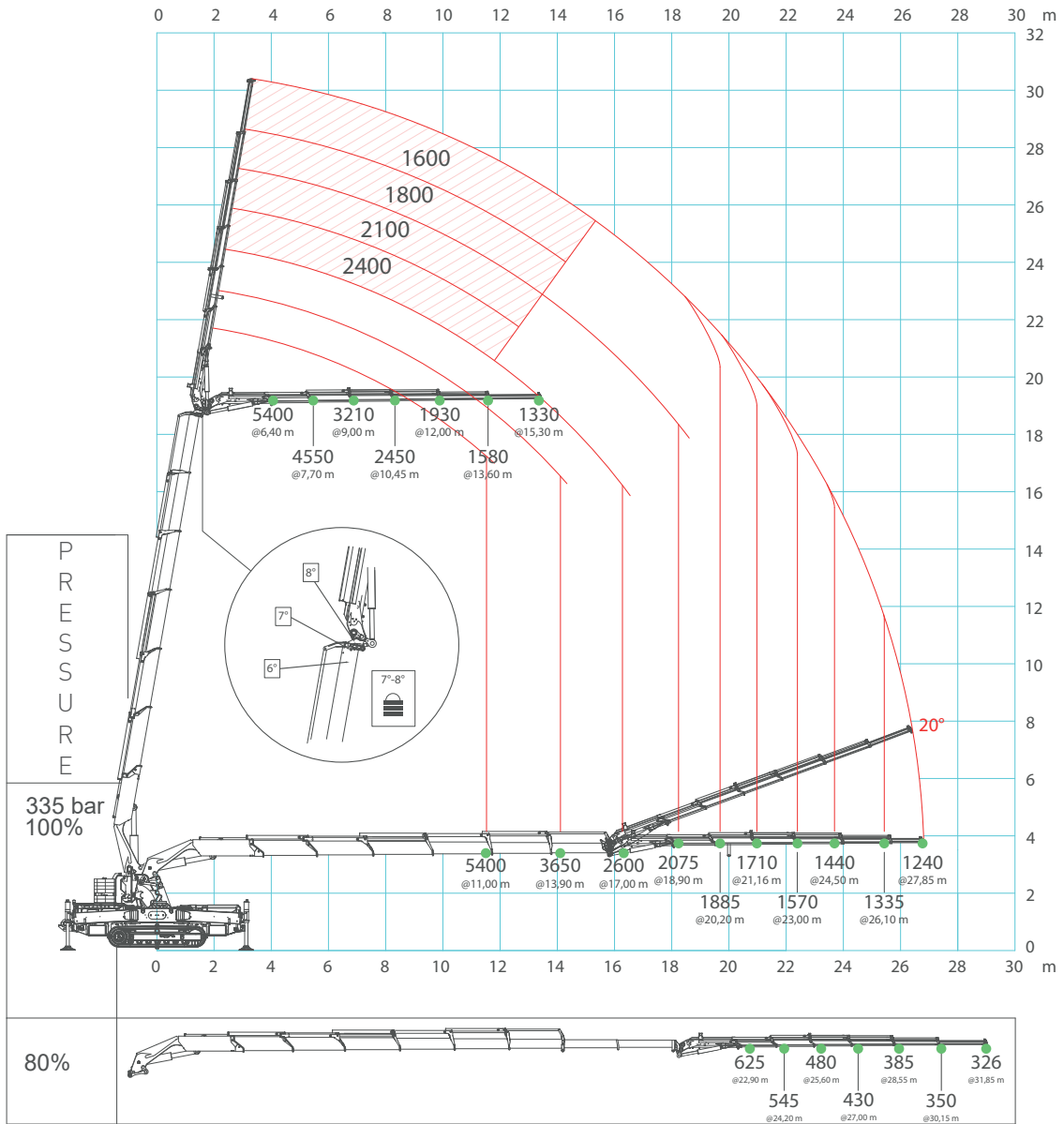
WINCH configuration



[kg]

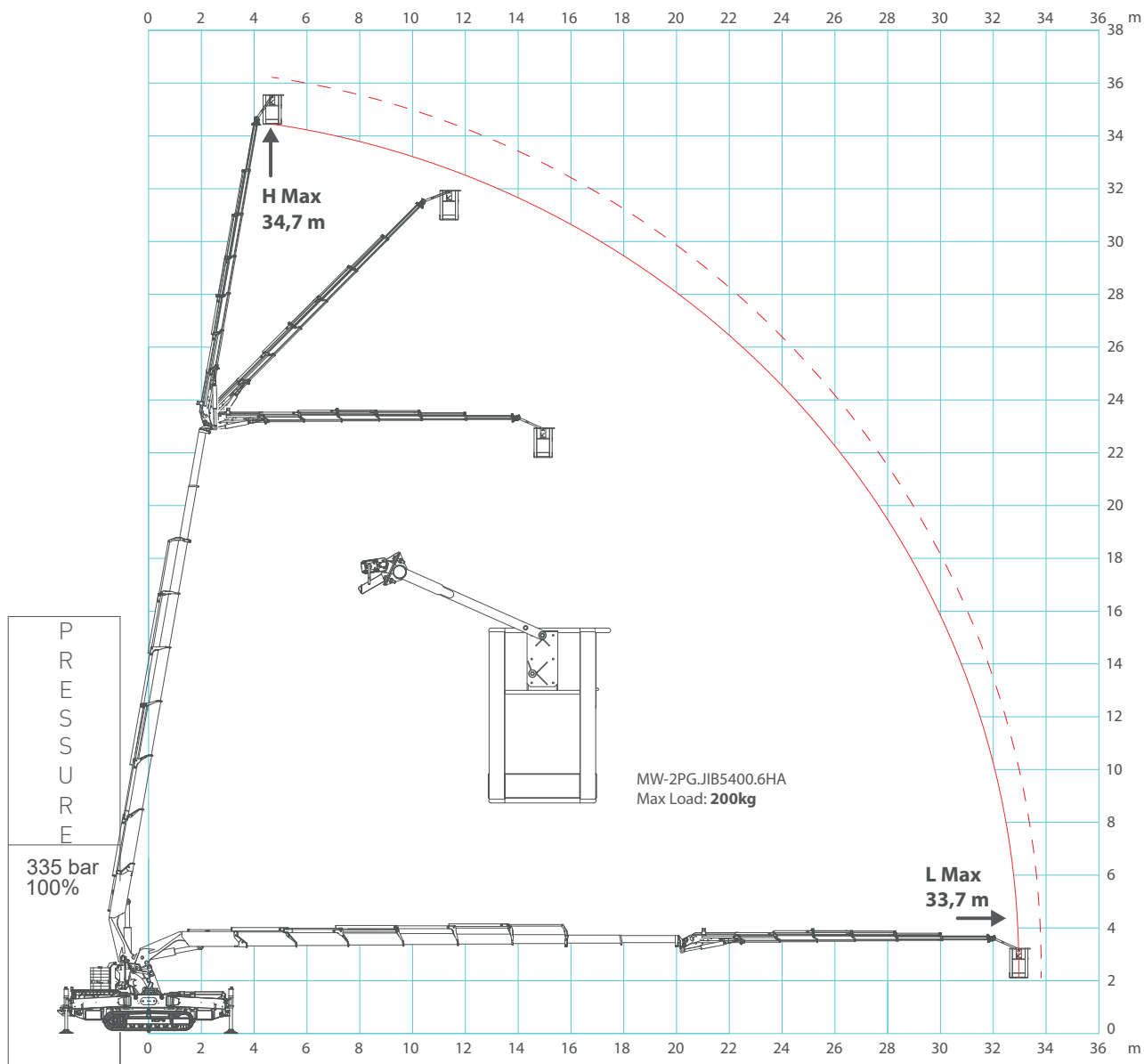
JF990 - JIB5400.6HA

JPD configuration



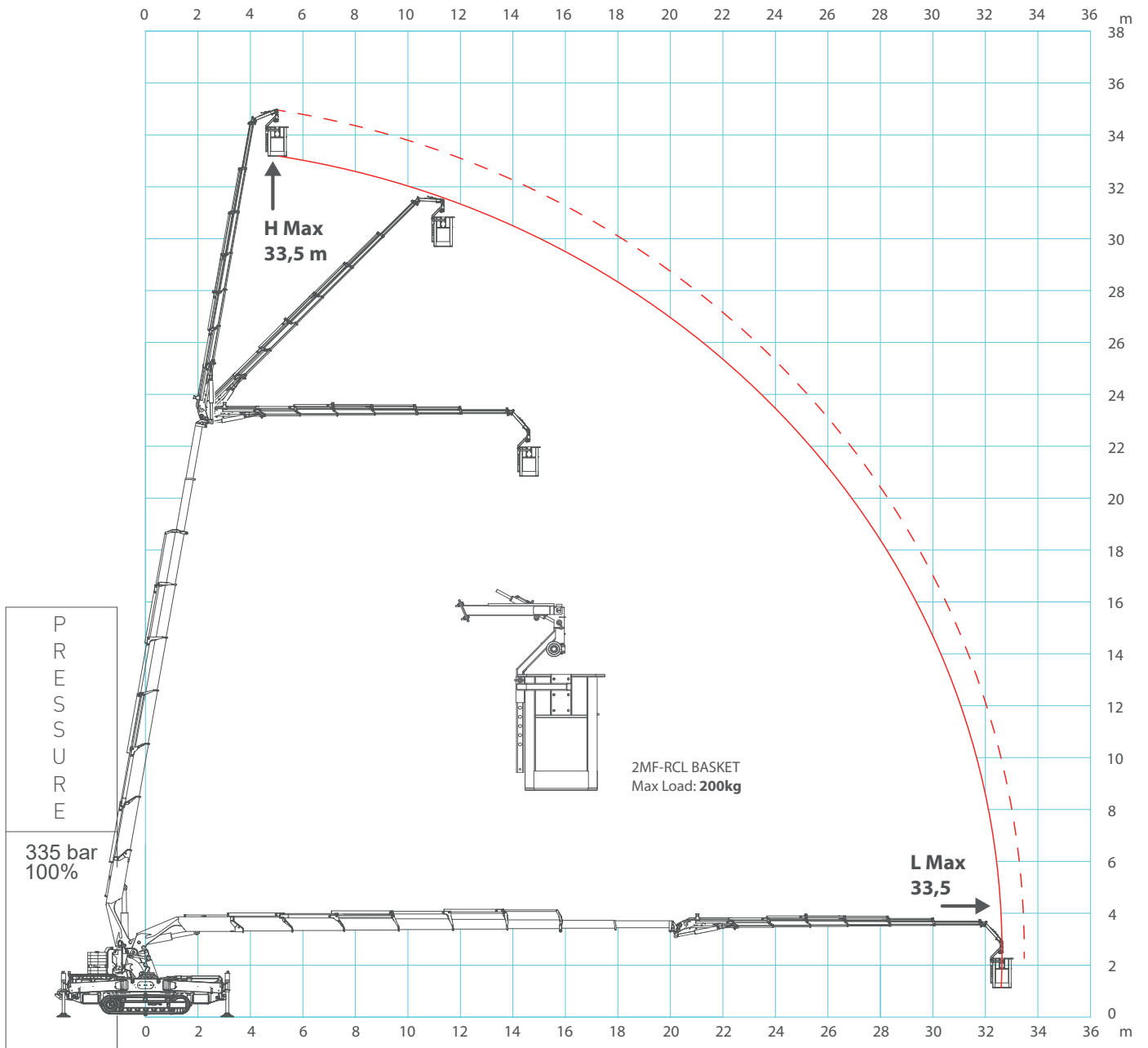
JF990 - MWP-2PG.JIB5400.6HA

Man Working Platform



JF990 - MWP-2PGR.JIB5400.6H

Rotating Man Working Platform for 2 Workers

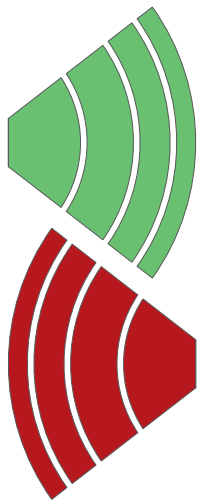


PLE STABILITY CONDITION

Maximum stability needs 8 conditions: 4 complete outriggers rotation and 4 complete outriggers extension. Every lack of condition induces a loss of working area. If more than one condition lack inhibit sectors are added.

Outrigger rotation is considered at its maximum when angle is $\geq 43^\circ$.

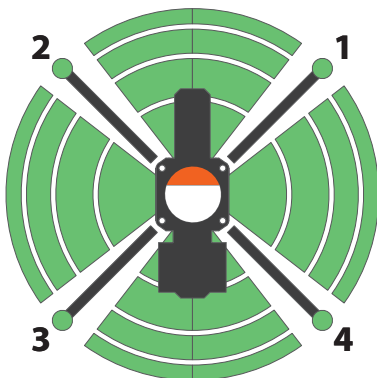
Outrigger extension is considered at its maximum when is greater than $\geq 95\%$.



Permitted working area.

Not permitted working area.

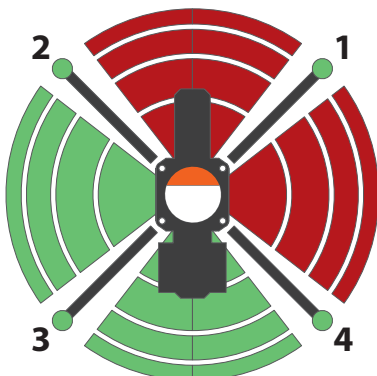
Some examples of the 8 conditions of maximum stability:



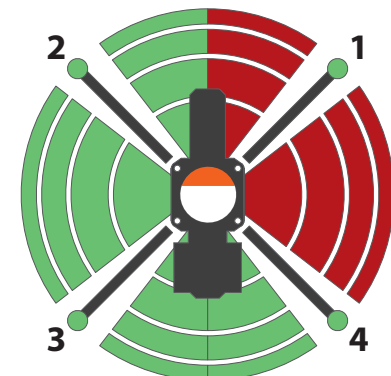
Maximum stability:
Full rotation of the outriggers.
Full extensions of the outriggers.



If even a single outriggers is not on the ground no possible movement is permitted.



Outrigger 1 not fully extended but fully rotated.

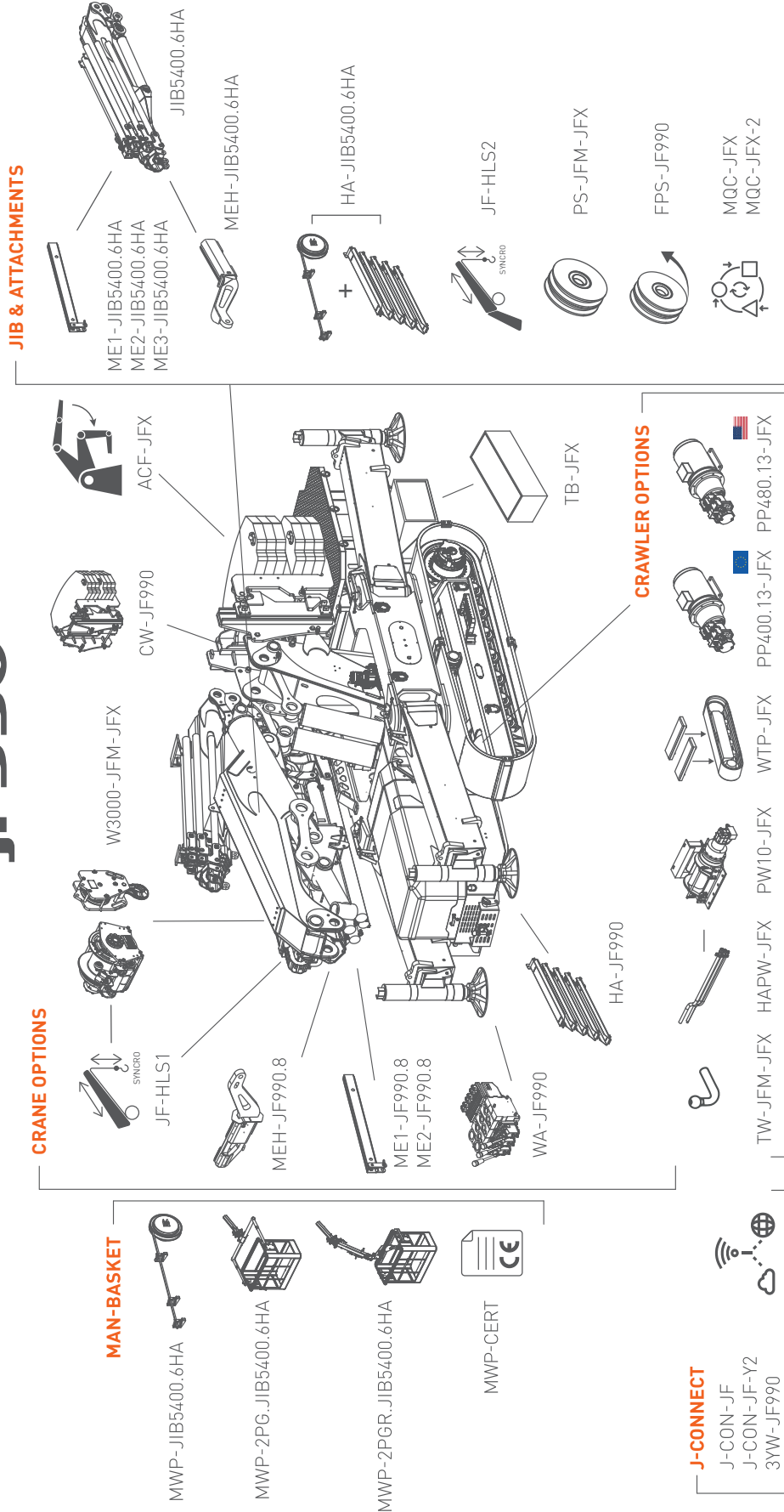


Outrigger 1 fully extended but not fully rotated.

ACCESSORIES

JF990

JF990



CRANE COLOR

| STANDARD | PC1 | PC1+PC2 | PC1+PC2+PC3 |
|---|----------------------------------|----------------------------------|----------------------------------|
| <input checked="" type="checkbox"/> RAL2004 | <input type="checkbox"/> RAL | <input type="checkbox"/> RAL | <input type="checkbox"/> RAL |
| <input checked="" type="checkbox"/> RAL9005 | <input type="checkbox"/> RAL7021 | <input type="checkbox"/> RAL | <input type="checkbox"/> RAL |
| <input checked="" type="checkbox"/> RAL9005 | <input type="checkbox"/> RAL7021 | <input type="checkbox"/> RAL | <input type="checkbox"/> RAL |
| <input checked="" type="checkbox"/> RAL9005 | <input type="checkbox"/> RAL9005 | <input type="checkbox"/> RAL9005 | <input type="checkbox"/> RAL9005 |

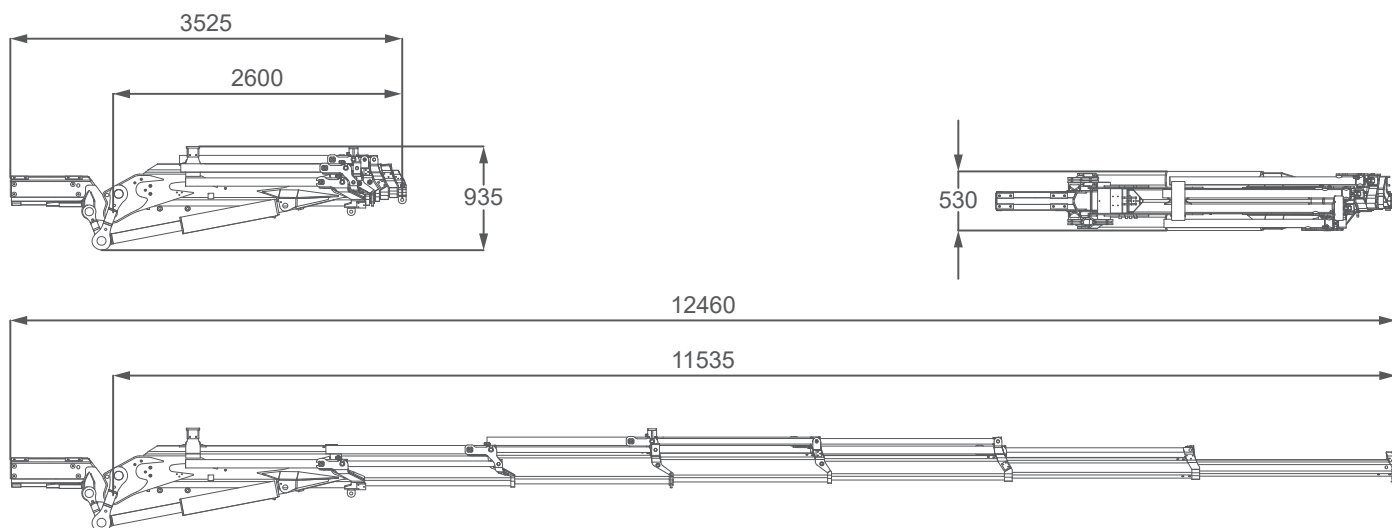
Crane
Crawler & Frame
Carters & Tool Boxes
Outriggers

LAYOUT

YOUR COMPANY

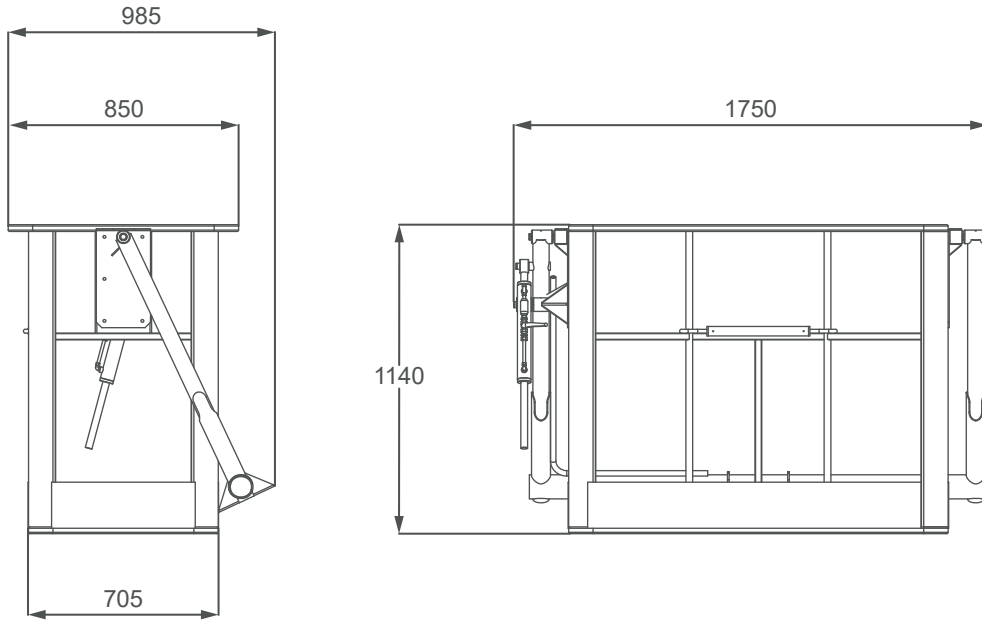


ACCESSORIES FEATURES JIB5400.6HA

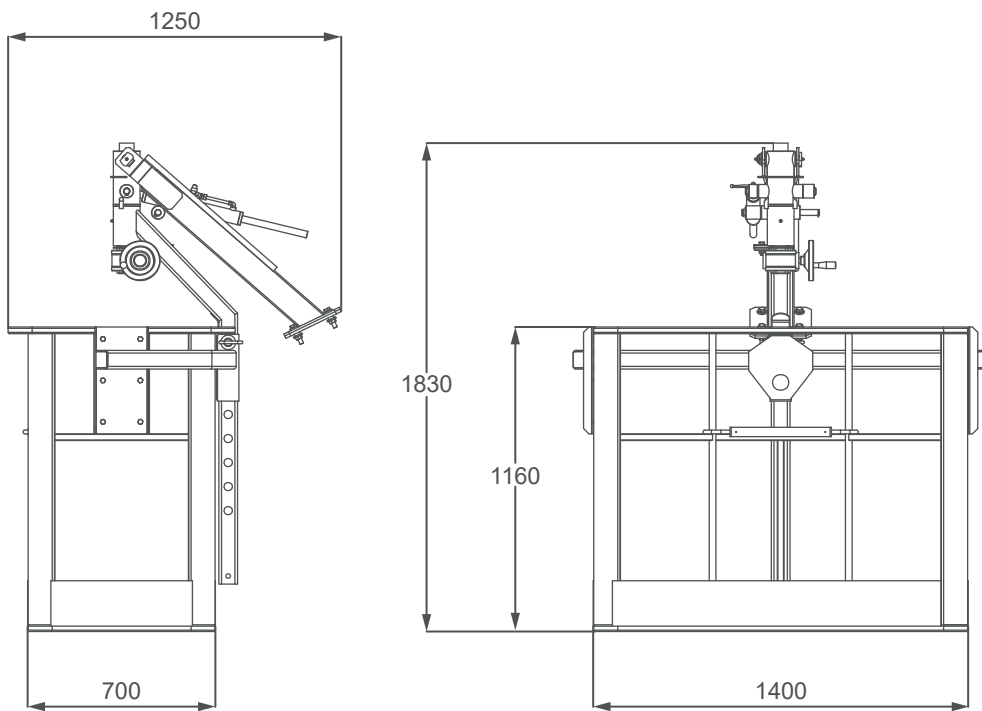


[mm]






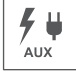











ACCESSORIES FEATURES
MWP-2PG.JIB5400.6HA



MWP-2PGR.JIB5400.6HA



SYMBOLS

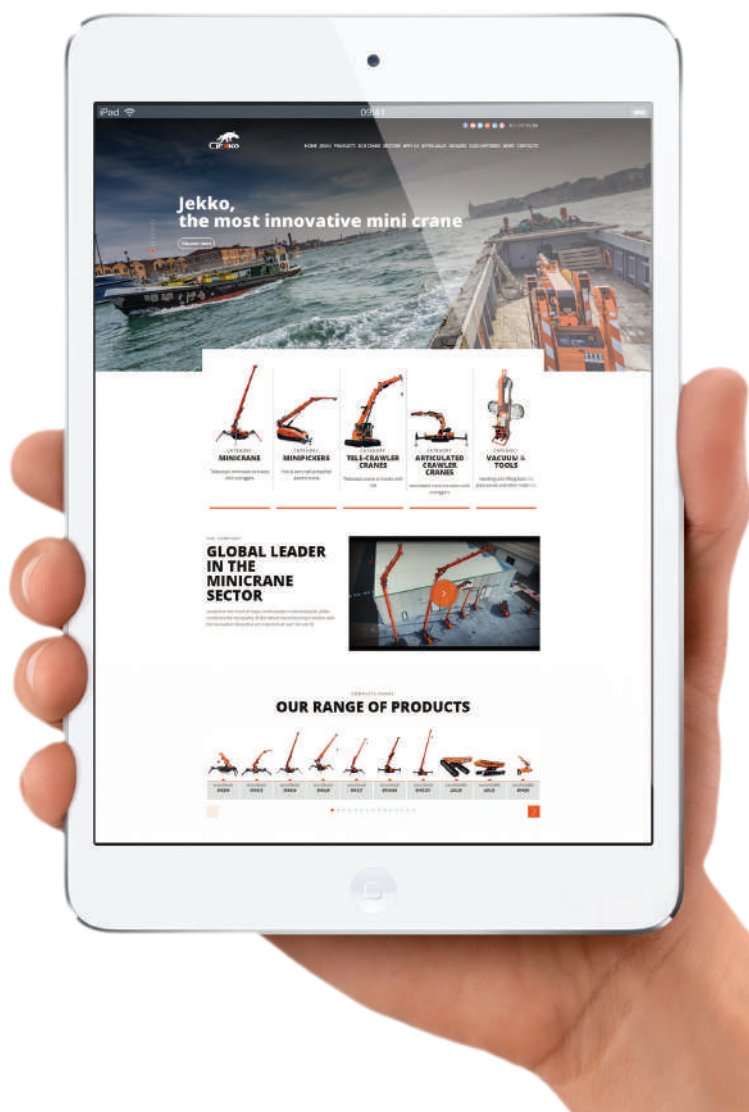
| | | | | | | | |
|---|--------------|---|----------------|---|---------------|---|---------------------|
|  | Weight |  | Engine |  | Boom Angle |  | Outriggers Mats |
|  | Crane |  | Power Pack |  | Boom Length |  | Hydraulic Oil |
|  | Travel Speed |  | Slewing |  | Boom Radius |  | Working Temperature |
|  | Gradeability |  | Outrigger Load |  | Track Loading |  | Load's Marking Pads |
|  | Max Capacity | | | | | | |

REMARKS REFERRING TO LOAD CHART

- HC1 HD4 S2 lifting class according to EN12999:2011 standards.
- Lifting capacities are given in kilograms.
- The weight of the hook blocks and hooks is part of the load and therefore it must be deducted from the lifting capacities.
- Working radii are measured from the slewing centre.
- The lifting capacities given for the telescopic boom apply if the folding jib is removed.
- Subject to modification of lifting capacities.

**YOUR
JEKKO
DEALER**

EN All specifications and features herein described can be changed without prior advice. All indicated data are indicative only and are not binding as crane performs differently depending on its use. **IT** Tutte le caratteristiche e le specifiche descritte possono essere soggette a variazioni senza preavviso. Tutti i dati riportati sono forniti a puro titolo informativo e non sono impegnativi dal momento che le prestazioni della macchina variano in funzione dell'utilizzo. **DE** Unangekündigte Änderungen sämtlicher Eigenschaften und Daten sind möglich. Alle Angaben sind Richtwerte und nicht verbindlich da die Leistungen der Vorrichtung von deren Einsatz abhängen. **ES** Todas las características y las especificaciones aquí indicadas pueden ser sujetas a variaciones sin aviso. Se dan todos los datos aquí indicados como simples informaciones. No se consideran como vinculantes, dado que las prestaciones del maquinario pueden variar. **FR** Toutes les caractéristiques et le spécifications descriptives peut être sujet à variation sans préavis. Tout les données rapportés sont fournis à titre informatif et ne sont pas engager au moment que la prestation de la machine change en fonction de l'emploi.



www.jekko-cranes.com

Visit jekko-cranes.com to keep in contact with us, discover all the latest news and find out technical details of all our products.



Jekko s.r.l.

Via Campardone, 1 - 31014 Colle Umberto (TV) - Italy
info@jekko.it - www.jekko-cranes.com

25.01.2023 | Rev.7

SERIAL NUMBER:

